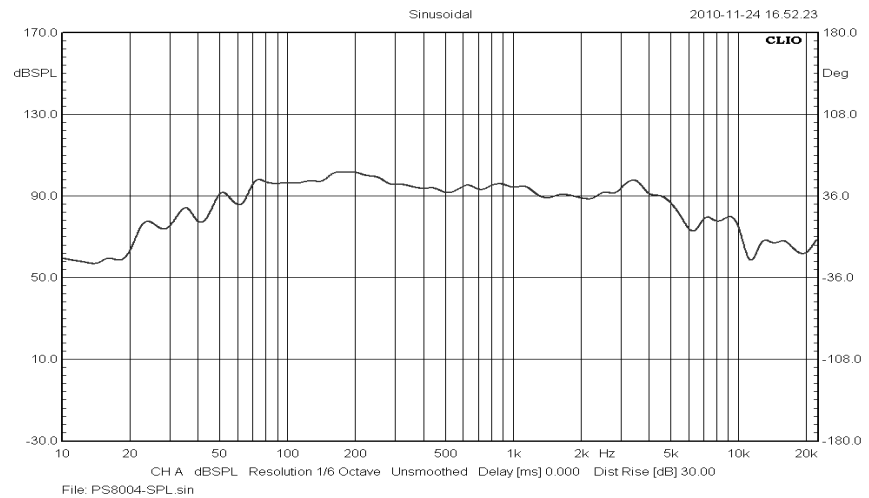
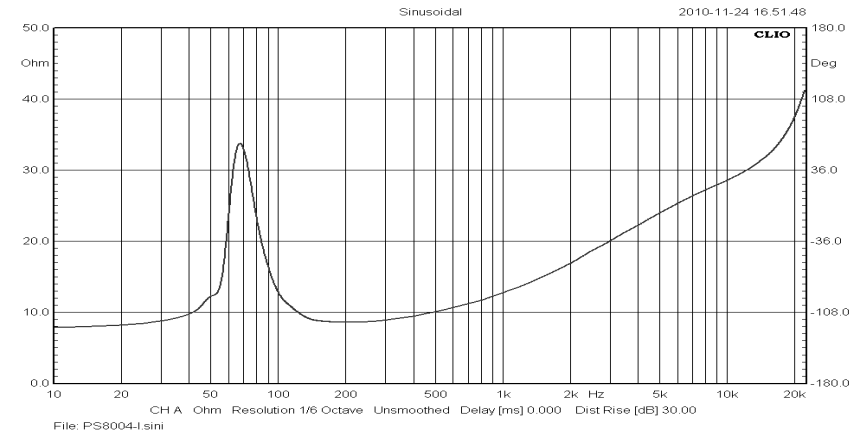
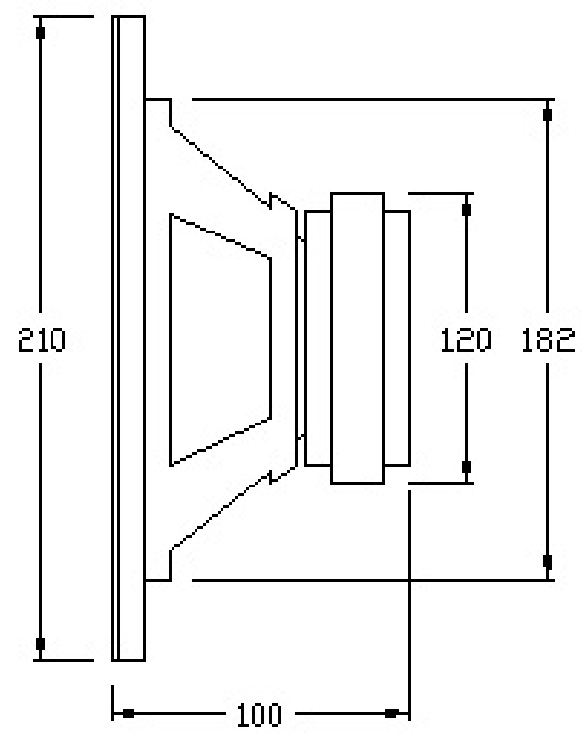
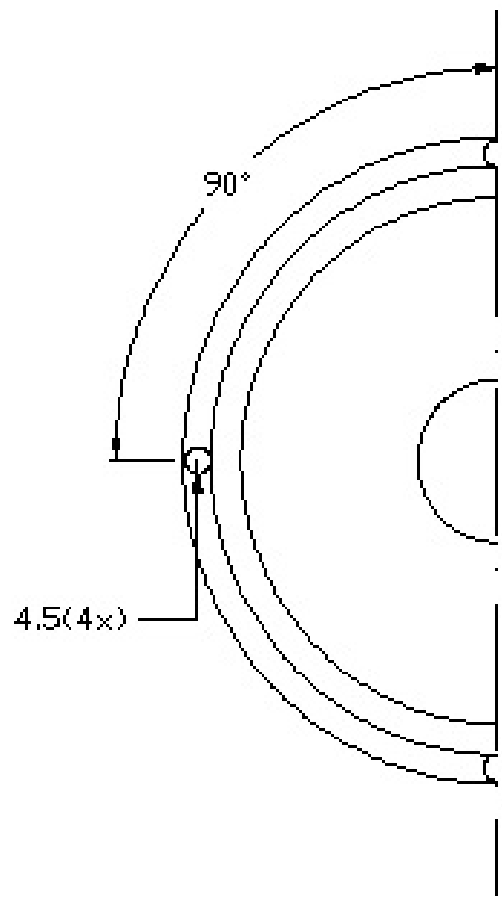


Model Number:	55-2960	
GENERAL SPECIFICATIONS		
Nominal Diameter:	8 inch	
Rated Impedance:	8 ohms	
Operating Bandwidth:	45Hz ~ 6KHz (-3dB)	
Power Handling Capacity:	160 Watts	
Sensitivity (1W/M):	92 dB (±3dB)	
Voice Coil Diameter:	2 inch	
THIELE-SMALL PARAMETERS		
Resonance Frequency	Fs:	68 Hz
DC Resistance	Re:	6.8 ohm
Mechanical Q Factor	Qms:	3.3
Electrical Q Factor	Qes:	0.688
Total Q Factor	Qts:	0.569
Equivalent Cas air load	Vas:	10.8561 liters
Surface Area of Cone	Sd:	0.0201 m ²
Efficiency Bandwidth Product	EBP	98.8
Voice Coil Over Hang	X-max	5.4 mm
PHYSICAL INFORMATION		
Basket:	Cast Aluminium	
Magnet Type:	30 OZ	
Cone Material:	None press paper	
Surround:	cloth	
Dust Cap:	paper	
Damper:	cloth	





ALL DIMENSIONS ARE IN MILLIMETERS