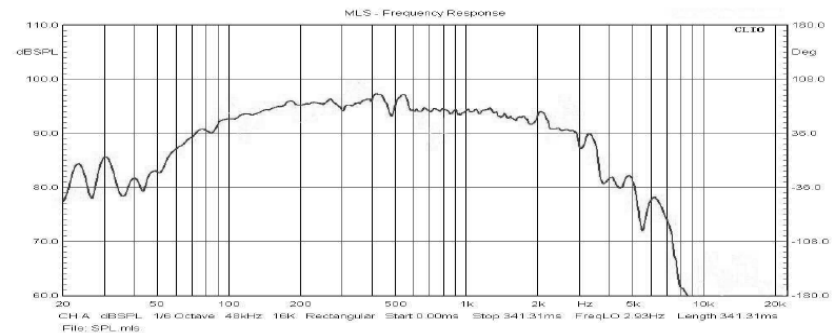
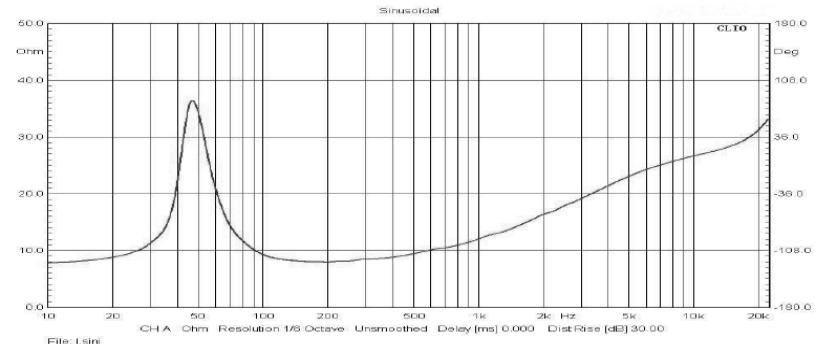
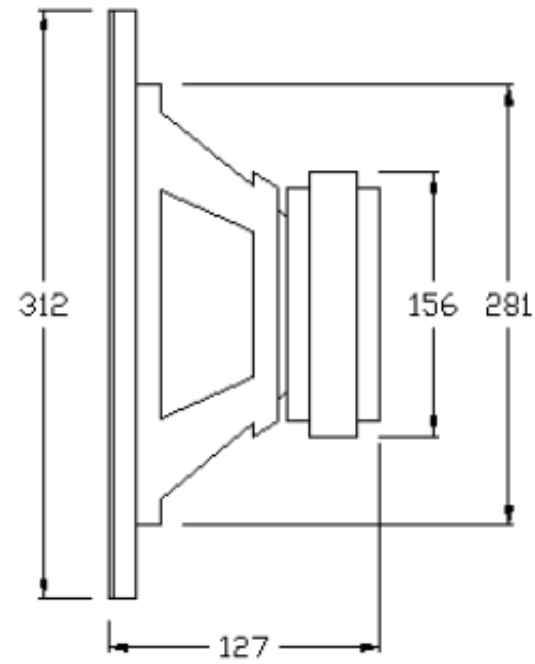
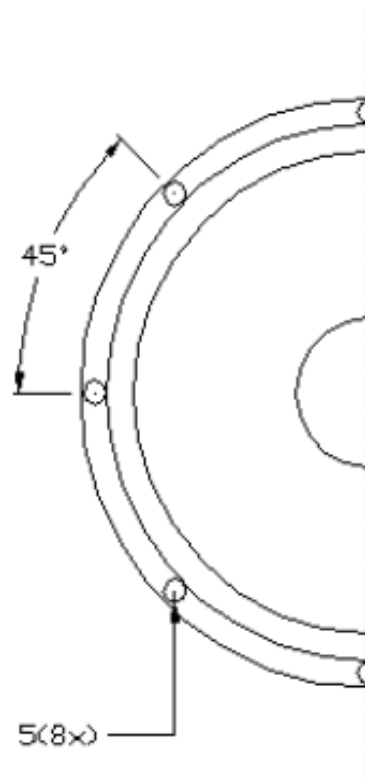


<b>Model Number:</b>	<b>55-2962</b>	
<b>GENERAL SPECIFICATIONS</b>		
Nominal Diameter:	12 inch	
Rated Impedance:	8 ohms	
Operating Bandwidth:	48Hz ~ 3KHz	
Power Handling Capacity:	175W RMS	
Sensitivity (1W/M):	96 dB	
Voice Coil Diameter:	2.5 inch	
<b>THIELE-SMALL PARAMETER</b>		
Resonance Frequency	Fs:	48 Hz
DC Resistance	Re:	7.2 ohm
Mechanical Q Factor	Qms:	4.5
Electrical Q Factor	Qes:	0.428
Total Q Factor	Qts:	0.39
Equivalent Cas air load	Vas:	94.5 liters
Coil Inductance	Le:	1.2133 mH
Efficiency Bandwidth Product	EBP	112.15
Voice Coil Over Hang	X-max	7.0mm
<b>PHYSICAL INFORMATION</b>		
Basket:	Cast Aluminium	
Magnet Type:	50 OZ	
Cone Material:	None press paper	
Surround:	cloth	
Dust Cap:	paper	
Damper:	cloth	





ALL DIMENSIONS ARE IN MILLIMETERS