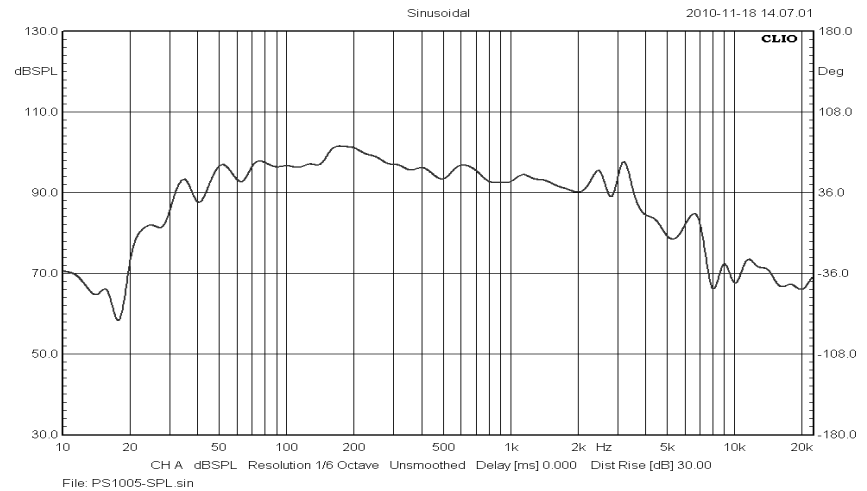
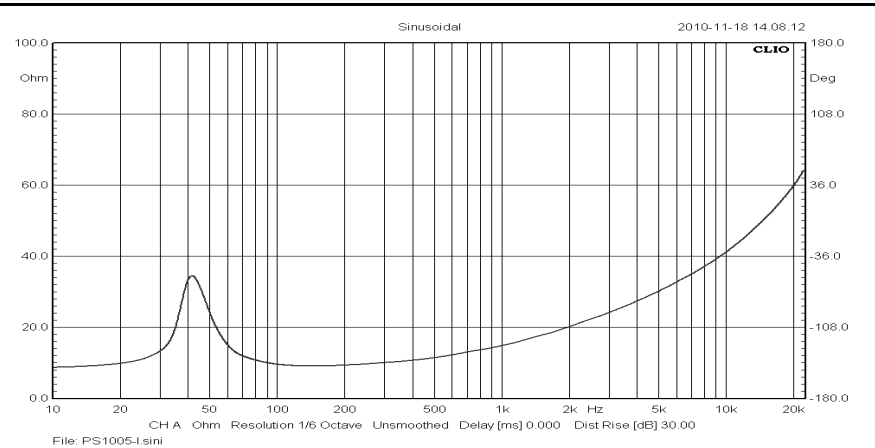
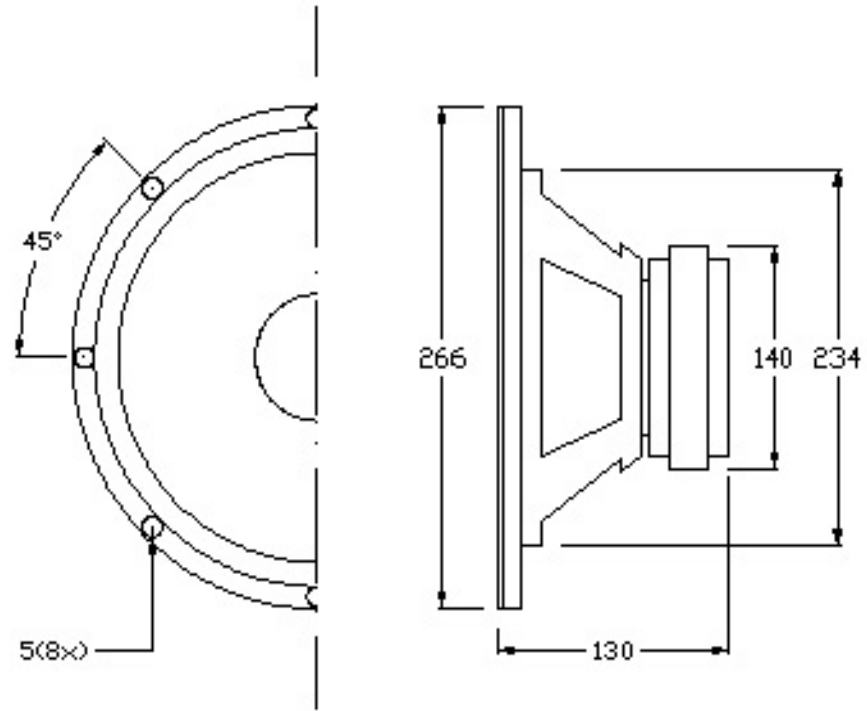


| | | |
|--------------------------------|----------------------|-----------------------|
| Model Number: | 55-2981 | |
| GENERAL SPECIFICATIONS | | |
| Nominal Diameter: | 10 inch | |
| Rated Impedance: | 8 ohms | |
| Operating Bandwidth: | 35Hz ~ 3.5KHz (-3dB) | |
| Power Handling Capacity: | 250 Watts RMS | |
| Sensitivity (1W/M): | 93 dB (±3dB) | |
| Voice Coil Diameter: | 2 inch | |
| THIELE-SMALL PARAMRTERS | | |
| Resonance Frequency | Fs: | 41.8 HZ |
| DC Resistance | Re: | 6.3 ohm |
| Mechanical Q Factor | Qms: | 3.08 |
| Electrical Q Factor | Qes: | 0.655 |
| Total Q Factor | Qts: | 0.54 |
| Equivalent Cas air load | Vas: | 58.079 liters |
| Surface Area of Cone | Sd: | 0.0363 m ² |
| Efficiency Bandwidth Product | EBP | 76 |
| Voice Coil Over Hang | X-max | 6.5 mm |
| PHYSICAL INFORMATION | | |
| Basket: | Cast Aluminium | |
| Magnet Type: | 40 OZ | |
| Cone Material: | None press paper | |
| Surround: | cloth | |
| Dust Cap: | paper | |
| Damper: | cloth | |





ALL DIMENSIONS ARE IN MILLIMETERS