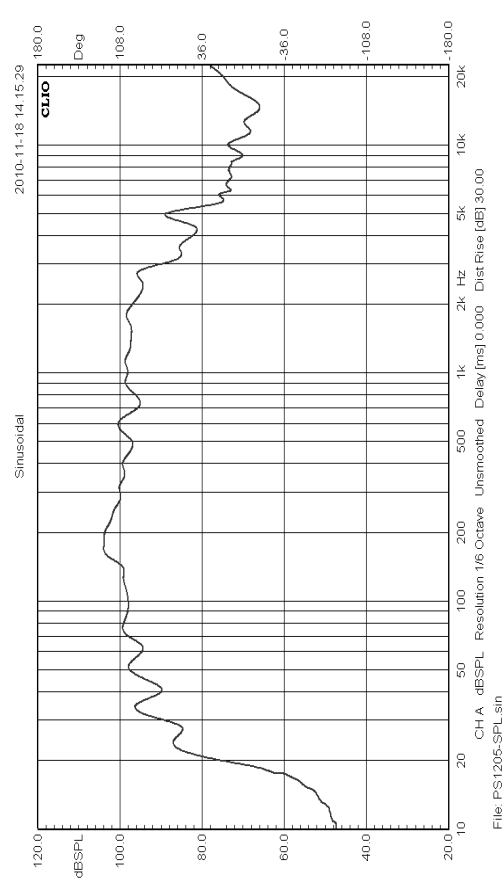
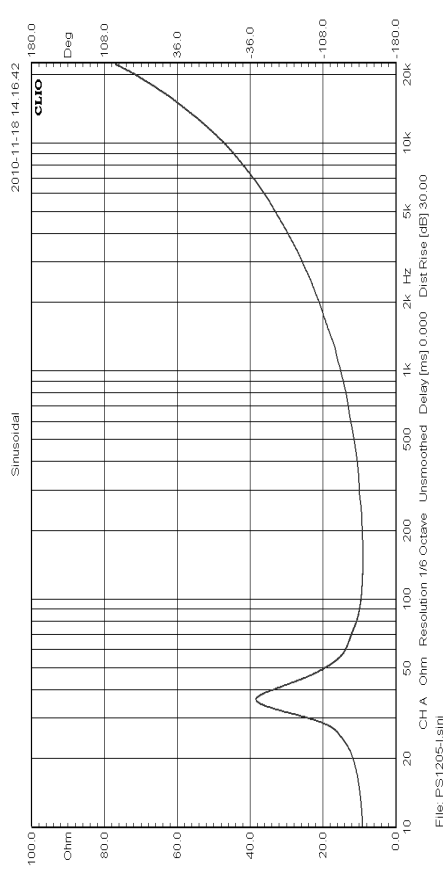
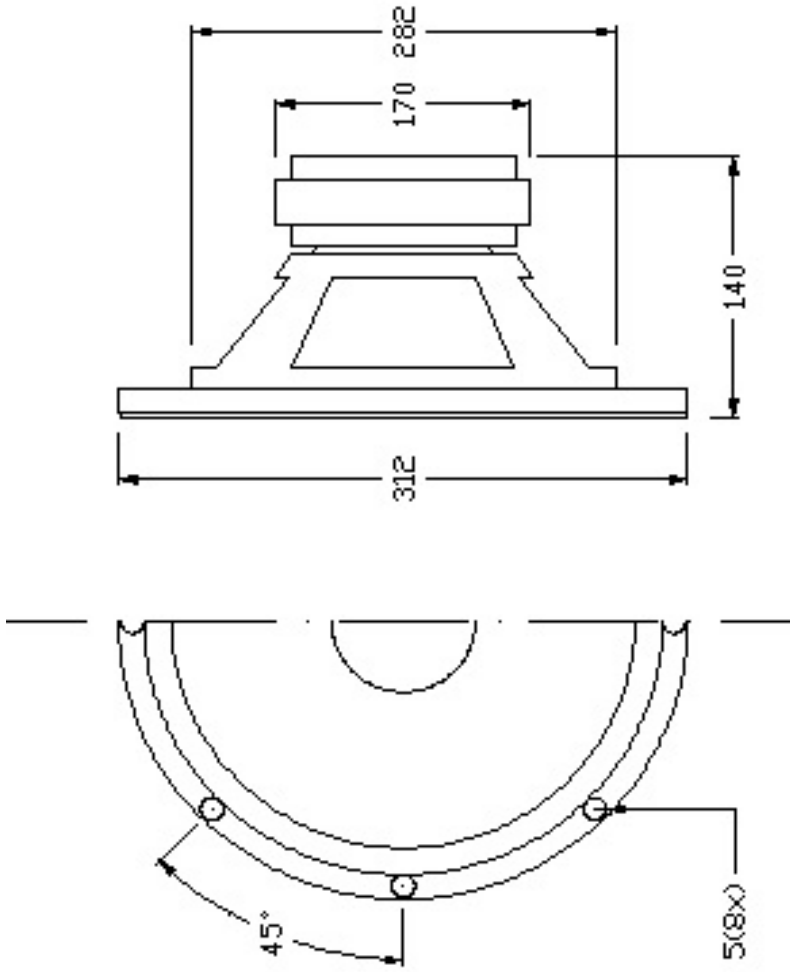


Model Number:	55-2982
GENERAL SPECIFICATIONS	
Nominal Diameter:	12 inch
Rated Impedance:	8 ohms
Operating Bandwidth:	30Hz ~ 3.2KHz (-3dB)
Power Handling Capacity:	350 Watts
Sensitivity (W/M):	96 dB (±3dB)
Voice Coil Diameter:	2.5 inch
THIELE-SMALL PARAMRTER	
Resonance Frequency	Fs: 36.23 HZ
DC Resistance	Re: 6.3 ohm
Mechanical Q Factor	Qms: 2.823
Electrical Q Factor	Qes: 0.476
Total Q Factor	Qts: 0.407
Equivalent Cas air load	Vas: 121.67 liters
Surface Area of Cone	Sd: 0.0552 m ²
Efficiency Bandwidth Product	EBP 89.017
Voice Coil Over Hang	X-max 7 mm
PHYSICAL INFORMATION	
Basket:	Cast Aluminium
Magnet Type:	67 OZ
Cone Material:	None press paper
Surround:	cloth
Dust Cap:	paper
Damper:	cloth





ALL DIMENSIONS IN MILLIMETERS