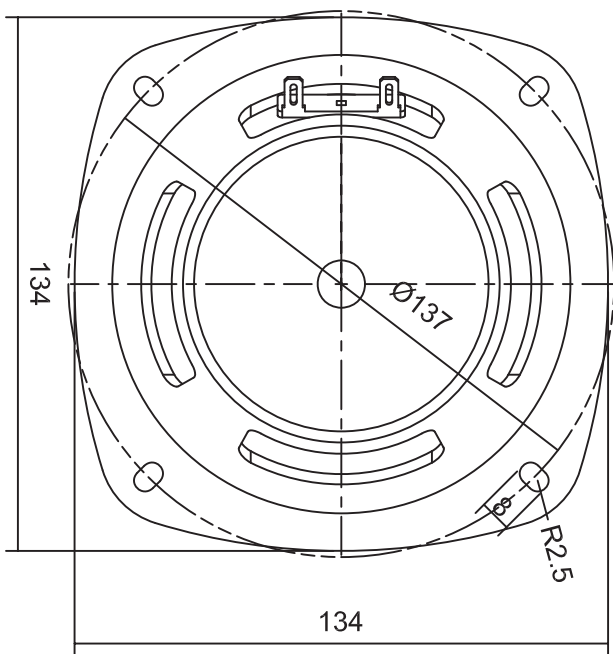
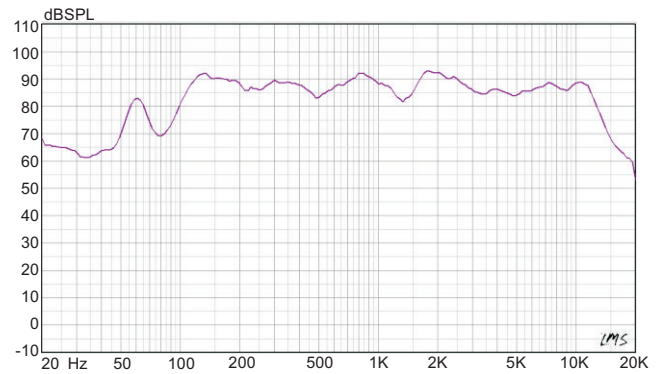


PARAMETERS

| | |
|--------------------|---------------------|
| Impedance | 8 Ohm |
| Re | 7.2 ohms |
| Fs | 89.97 Hz |
| Qms | 5.29 |
| Qes | 1.28 |
| Qts | 1.03 |
| Mms | 9g |
| Cms | 0.35mm/N |
| Sd | 91.6cm ² |
| BL | 5.4Tm |
| Vas | 4.14liters |
| VC diameter | 1" |
| SPL | 85.6 |
| RMS power | 40Watts |
| Frequency Response | 89 to 12,000Hz |



SPL vs Freq



Impedance vs Freq

