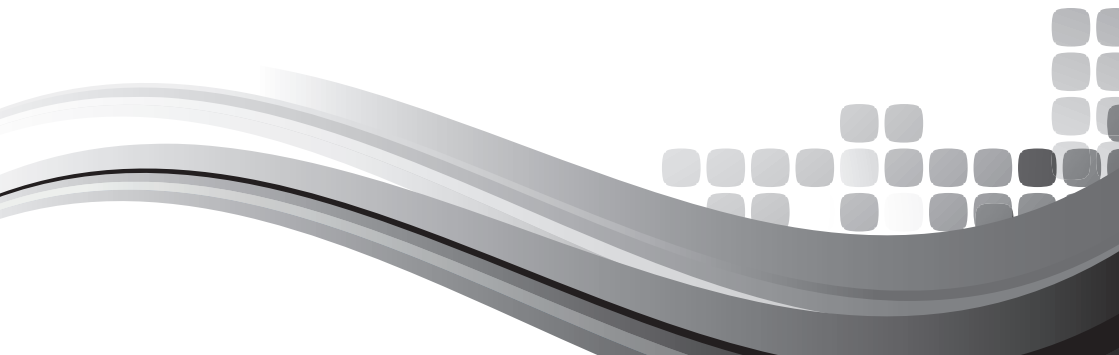




## INSTALLATION AND OPERATION MANUAL

# TXGWR SERIES

WEATHER RESISTANT WALL MOUNTED SPEAKER



## IMPORTANT SAFETY INFORMATION

1. Read these instructions.
2. Keep these instructions.
3. Heed all warnings.
4. Follow all instructions.
5. Do not use this apparatus near water.
6. Clean only with dry cloth.
7. Do not block any ventilation openings. Install in accordance with the manufacturer's instructions.
8. Do not install near any heat sources such as radiators, heat registers, stoves, or other apparatus (including amplifiers) that produce heat.
9. Only use attachments/accessories specified by the manufacturer.
10. Use only with the cart, stand, tripod, bracket, or table specified by the manufacturer, or sold with the apparatus. When a cart is used, use caution when moving the cart/apparatus combination to avoid injury from tip-over.
11. Refer all servicing to qualified service personnel. Servicing is required when the apparatus has been damaged in any way, such as power-supply cord or plug is damaged, liquid has been spilled or objects have fallen into the apparatus, the apparatus has been exposed to rain or moisture, does not operate normally, or has been dropped.
12. This appliance shall not be exposed to dripping or splashing water and that no object filled with liquid such as vases shall be placed on the apparatus.

## PRÉCAUTIONS DURANT UTILISATION

1. Lisez ces instructions.
2. Tenez ces instructions.
3. Notez tous les avertissements.
4. Suivez toutes les avertissements.
5. N'utilisez pas ce produit près de l'eau (la piscine, la plage, le lac, etc.).
6. Nettoyez seulement avec une étoffe sèche.
7. Ne bloquez aucuns trous de ventilation. Installez en accord avec les instructions du fabricant.
8. N'installez près aucunes sources de chaleur comme radiateurs, registres de chaleur, fours ou les autres équipements (y compris amplificateurs) qui produisent la chaleur.
9. Seulement utilisez attachements/accessoires spécifiés par le fabricant.
10. Utilisez seulement avec un chariot, un stand, un trépied, un support ou une table indiquée par le fabricant, ou vendue avec l'appareil. Quand un chariot est utilisé, faites attention en déplaçant la combinaison d'appareil/chariot pour éviter de se déséquilibrer.
11. Référez au personnel qualifié de service pour toutes réparations. La réparation est donnée quand le système a été endommagé à n'importe façon, par exemple un fil ou une fiche endommagé(e) de la source d'alimentation. Avoir été exposé à pluie ou humidité, n'opère pas normalement, ou avoir été tombé.
12. L'appareil ne doit pas être exposé aux écoulements ou aux éclaboussures et aucun objet ne contenant de liquide, tel qu'un vase, ne doit être placé sur l'objet.



## TXGWR SERIES

The TXGWR series of wall mount speakers are designed to provide a weather resistant option to compliment the outstanding TXG series speakers. The attractive trapezoid cabinet design allows for improved directivity and the high quality 2-way speaker system with 5" polypropylene bass / mid cone & 10-ounce magnet plus the mylar laminate dome tweeter provides high quality audio reproduction and outstanding sonic performance combined with a contemporary and stylish design.

Being IEC 529 IP55 rated, the speakers are the perfect option for areas that may be exposed to the weather. The stainless steel U bracket will not rust and comes included as a standard accessory.

The TXGWR series are rated at 30 W continuous power and are perfect for speech or background music applications. They are available in either black (TXGWRB) or white (TXGWRW) and have four power tappings as well as an 8 Ohm direct connection via a selectable rear mounted switch.

The TXGWR from Australian Monitor offers exceptional versatility, performance and value for money.

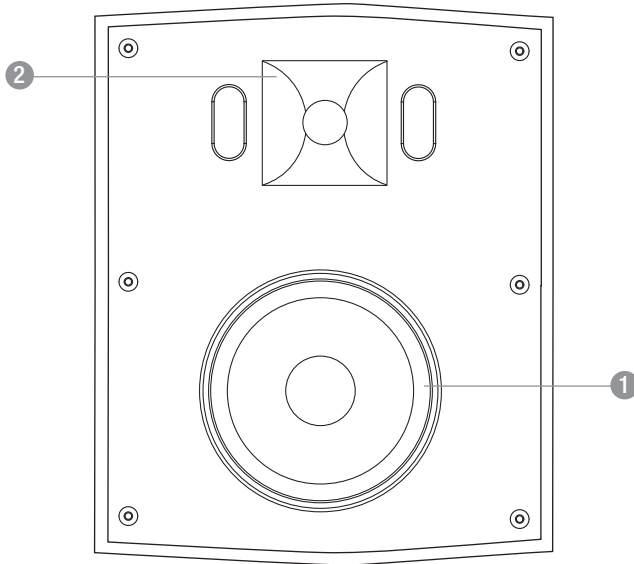
INTRODUCTION	3
FRONT PANEL	4
REAR PANEL	5
MOUNTING	6
SPECIFICATIONS	7

Version 1.0 April 2013



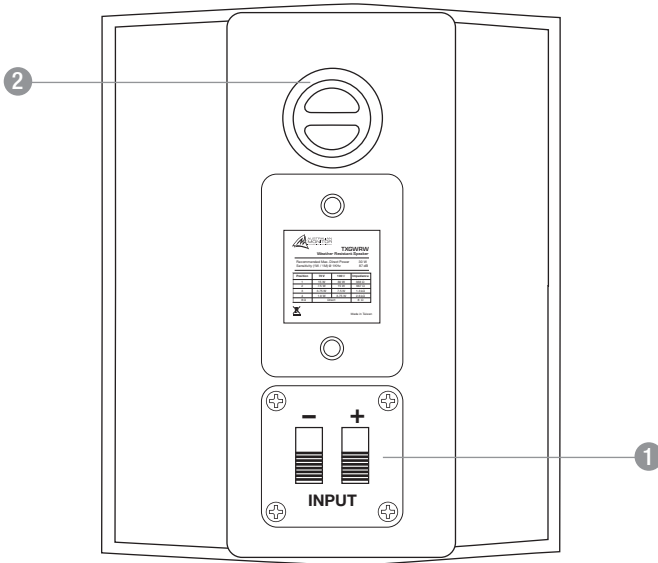
## FRONT PANEL

Shown here without front grill



1 5" Polypropylene bass / mid cone

2 Mylar laminate dome tweeter



### 1 Speaker Input terminals

Speaker input is via a pair of coloured push terminals. The black terminal is negative, the red terminal is positive. The terminals provide access for both the Power Tappings and 8 Ohm Direct Input (via input selection switch).

### 2 Input Selection Switch

Position	70V	100V	Impedance
1	15 W	30 W	333 $\Omega$
2	7.5 W	15 W	667 $\Omega$
3	3.75 W	7.5 W	1.3 k $\Omega$
4	1.9 W	3.75 W	2.6 k $\Omega$
8 $\Omega$	Direct		8 $\Omega$



## MOUNTING



When mounting TXGWR speakers the following safety issues must be considered;

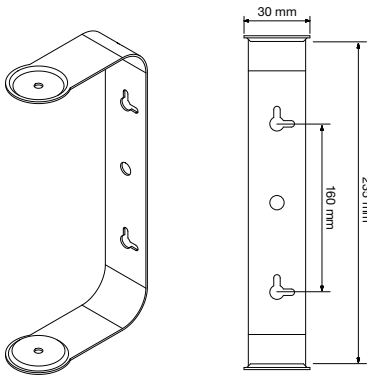
The mounting of a permanently installed speaker may be dangerous unless undertaken by a qualified professional with relevant experience.

Walls and mounting surfaces must be capable of supporting the speaker and bracketry in a safe and secure manner.

All fixings must be safely attached to the speaker cabinet and the mounting surface. All fixings must be installed in accordance with the manufacturer's instructions and specifications.

### Wall Mount Brackets

TXGWR speakers are supplied with a stainless steel wall mount U bracket. The bracket can be used to mount the speaker in either the vertical or horizontal plane.





<b>SPECIFICATION</b>	<b>TXGWR</b>
<b>TXGWRW</b>	White
<b>TXGWRB</b>	Black
<b>Impedance</b>	8 Ohm (Bypass)
<b>Power (Tappings) (100V)</b>	3.75 W, 7.5 W, 15 W, 30 W
<b>Sensitivity (1 W / 1 M)</b>	87 dB
<b>Calculated Max SPL (Continuous, Peak)</b>	102 dB, 107 dB
<b>Dispersion (-1 kHz and 4 kHz) (H x V)</b>	190° x 125°
<b>Frequency Response (-10dB)</b>	115 Hz - 25 kHz
<b>Ambient Operating Temperature</b>	-20° C ~ +60° C
<b>Ingress Protection</b>	IEC529 IP55
<b>Connection</b>	Spring Terminals
<b>Components</b>	5" Polypropylene bass / mid cone & 10-ounce magnet Mylar laminate dome tweeter
<b>Net Dimensions (speaker) (W x D x H)</b>	241 mm x 175 mm x 189 mm (9.5" x 6.9" x 7.45")
<b>Shipping Dimensions (W x D x H)</b>	274 mm x 228 mm x 240 mm (10.8" x 9.0" x 9.5")
<b>Net Weight (each)</b>	2.8 kg (6.2 lbs)
<b>Shipping Weight (each)</b>	3.2 kg (7.1 lbs)
<b>Accessories supplied</b>	Stainless Steel U bracket (powder coated)

- Rated Power according to IEC 60268- 5 - 100 hours Power Handling Capacity standard
- Technical data according to IEC 60268- 5
- CE Certified (EMC & LVD)
- RoHS Compliance



ENGINEERED BY AUSTRALIAN MONITOR

Address: Level 7, 130 Pitt Street, Sydney NSW 2000 Australia.

Website: [www.australianmonitor.com.au](http://www.australianmonitor.com.au)

International enquiries email: [international@australianmonitor.com.au](mailto:international@australianmonitor.com.au)